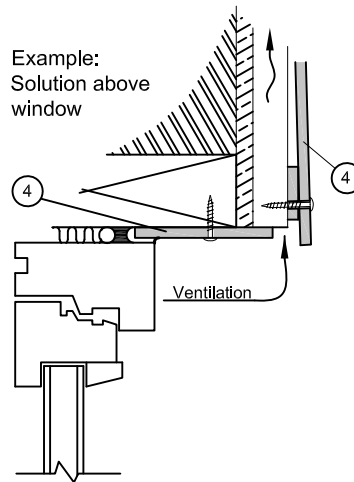
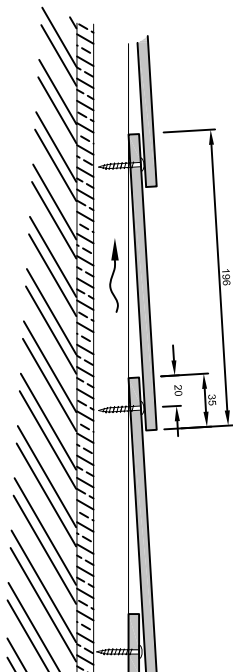
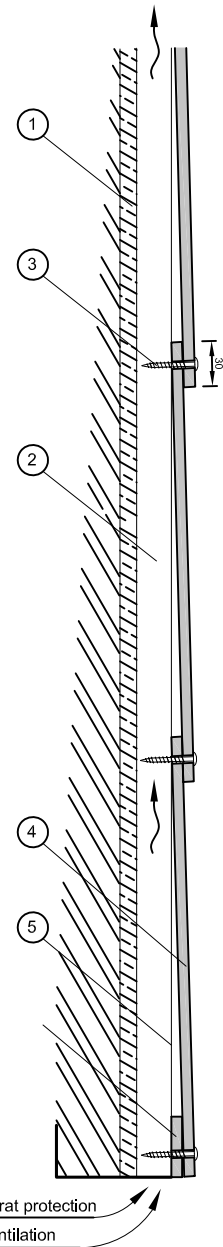
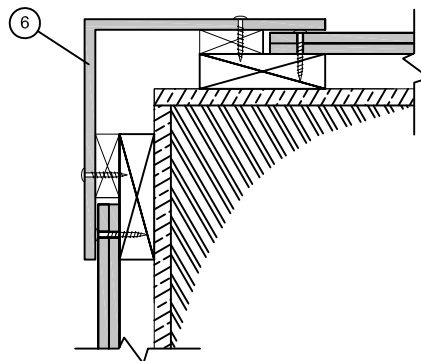


Panel height
200-595 mm:
 Screws through both panels

Panel height 196 mm:
 Screws on top of the underlying panel.



Example:
Outside corner
 with corner element



- ① Windstopper
- ②a Wooden lath, impregnated T18 - 23x73
- ②b Wooden lath, Impregnated T18 - 23x48
- ③ Stainless steel screw A4: 4x35 mm
- ④ Steni Colour alt. Steni Nature Fine micro / Steni Imago
- ⑤ EPDM follo
- ⑥ Corner Element

T:\03_Detaljtegninger\Fs detaljer\DWG\FS200_EN_02052016.dwg.

FS 200_1
 Elevation and Section Details

Issued by/Tegnet av:
 JMK

Date of issue/Tegnet dato:
 02.05.2016

Scale/Målestokk:
 1:5



steni as
 Tlf.: +47 33155600
 www.steni.com